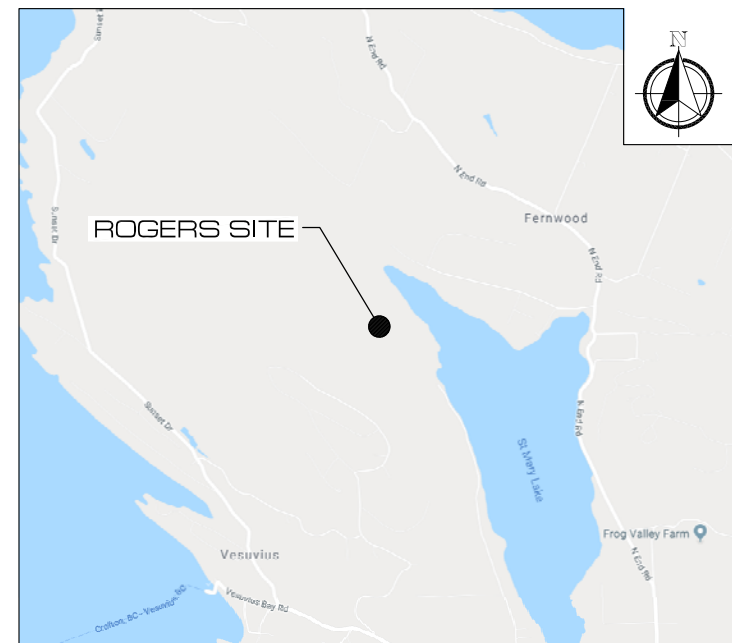


DRAWING INDEX

DWG NO	DRAWING TITLE	REV
T-1	TITLE SHEET	5
A-1	ANTENNA AND EQUIPMENT DETAILS	3
A-2	ANTENNA LOADING CHART	3
A-3	SITE PLAN	3
A-4	COMPOUND LAYOUT	3
A-5	ANTENNA LAYOUT	3
A-6	NORTHWEST ELEVATION	5



KEY PLAN



NOT TO SCALE

LATITUDE: N 48.895018 ° NAD 83
 LONGITUDE: W 123.561048 °

SITE INFORMATION

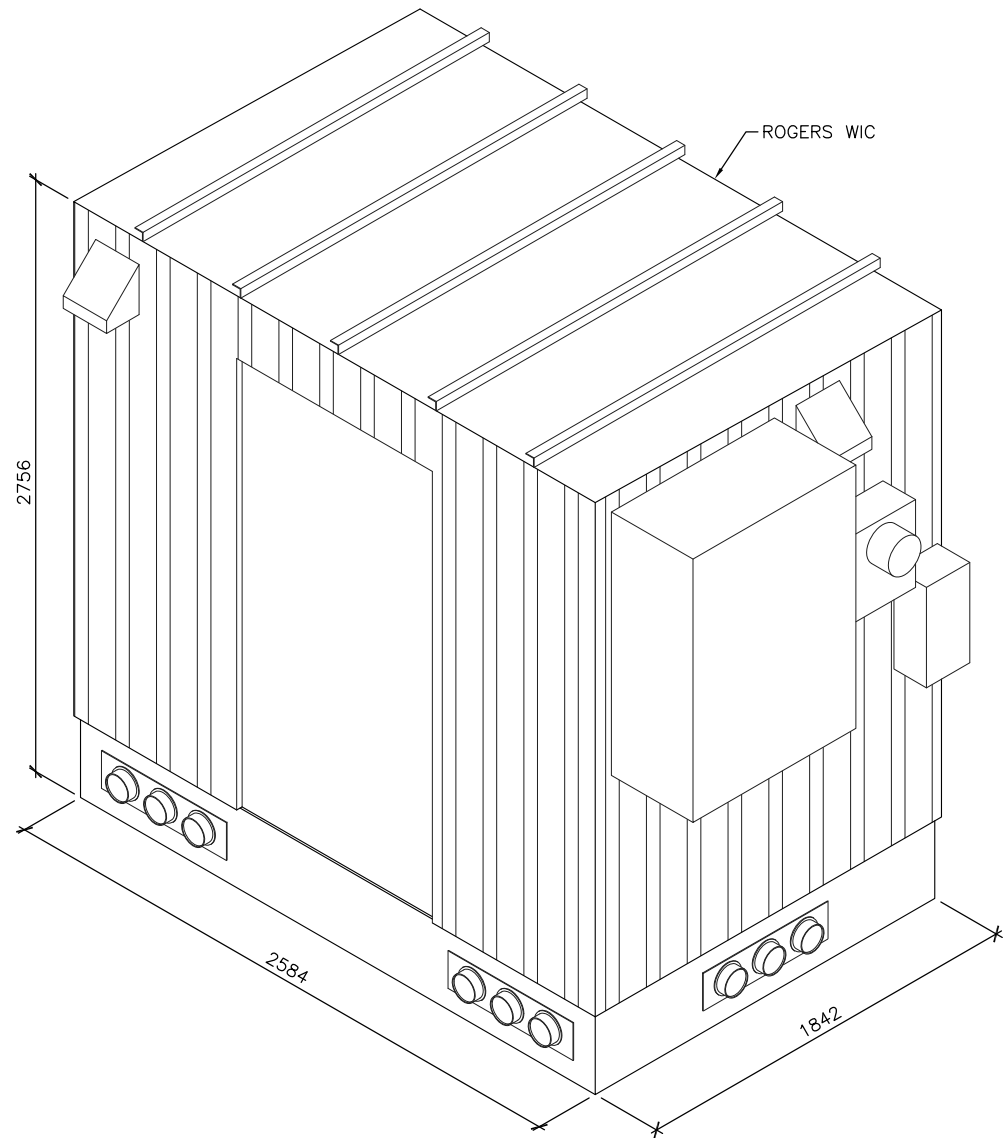
SITE ID: W2176
 SITE NAME: NORTH SALTSRING
 SITE ADDRESS: WATER RESV.
 (CHANNEL RIDGE ESTATES)
 SALTSRING ISLAND, BC
 LEGAL DESCRIPTION: PID: 000-638-391
 SECTION 13, RANGE 2 WEST,
 NORTH SALTSRING ISLAND,
 COWICHAN DISTRICT
 SITE CONFIGURATION: RAWLAND - SELF SUPPORT
 APPLICANT: ROGERS COMMUNICATIONS
 CANADA INC.
 1900-4710 KINGSWAY
 BURNABY, BC V5H 4W4

REV	DESCRIPTION	DATE	BY
5	REVISED PER COMMENTS	JAN 29/20	MN
4	GENERAL REVISION	NOV 04/20	MN
3	REVISED PER ROGERS	OCT 07/20	MN
2	REVISED PER ROGERS	SEP 22/20	MN
1	REVISED PER ROGERS	MAR 13/20	MN
0	ISSUED FOR REVIEW	OCT 04/19	MN

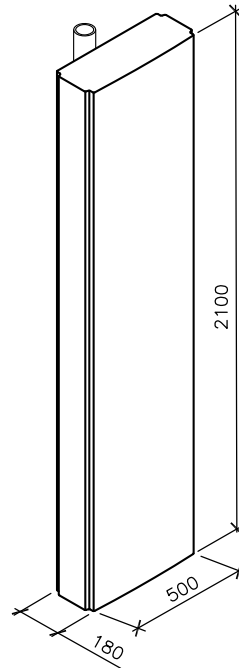
	PROJECT: W2176 NORTH SALTSRING WATER RESV. (CHANNEL RIDGE ESTATES) SALTSRING ISLAND BRITISH COLUMBIA	SCALE: N/A CHECK BY: LC DRAWN BY: MN DATE: OCT 04/19 CAD FILE: T-1
	DRAWING TITLE: TITLE SHEET	PROJECT NO: 19C1529 DRAWING NO: T-1
 229 - 18525 53RD AVENUE SURREY, BC V3S 7A4 TEL: (778) 805-2166 INFO@COREONECONSULTING.COM		

ROGERS WIC HAS BEEN DESIGNED BY HYBRID BUILDING LOGISTICS AND ARE BASED UPON DRAWINGS DATED FEBRUARY 13, 2017. CORE ONE CONSULTING LTD. DOES NOT TAKE RESPONSIBILITY OF THE EQUIPMENT CABINET DESIGN

EQUIPMENT OPTIONAL ACCESSORIES SHOWN ARE DIAGRAMMATIC ONLY AND NOT SITE SPECIFIC

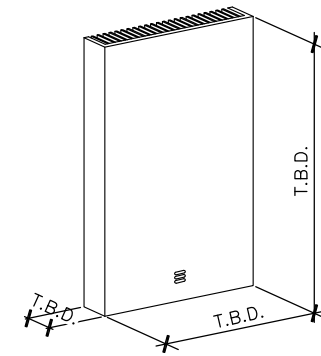


1 WIC ISOMETRIC
- N.T.S.



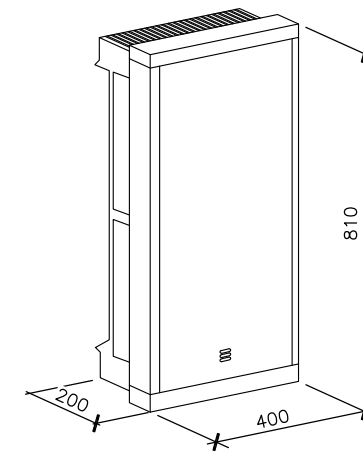
MANUFACTURER: TONGYU
ANTENNA MODEL: T126027INTDEX6FT2V03
HEIGHT: 2100mm
WIDTH: 500mm
DEPTH: 180mm
WEIGHT: 43.0kg

2 ANTENNA ISOMETRIC
- N.T.S.



MANUFACTURER: ERICSSON
ANTENNA MODEL: AIR 5322
HEIGHT: T.B.D.
WIDTH: T.B.D.
DEPTH: T.B.D.
WEIGHT: T.B.D.

3 ANTENNA ISOMETRIC
- N.T.S.



MANUFACTURER: ERICSSON
ANTENNA MODEL: AIR 6488
HEIGHT: 810mm
WIDTH: 400mm
DEPTH: 200mm
WEIGHT: 43.5kg
WEIGHT WITH MOUNTING KIT: 50.5kg

4 ANTENNA ISOMETRIC
- N.T.S.

REV	DESCRIPTION	DATE	BY
3	REVISED PER ROGERS	OCT 07/20	MN
2	REVISED PER ROGERS	SEP 22/20	MN
1	REVISED PER ROGERS	MAR 13/20	MN
0	ISSUED FOR REVIEW	OCT 04/19	MN

	PROJECT: W2176 NORTH SALTSPRING WATER RESV. (CHANNEL RIDGE ESTATES) SALTSPRING ISLAND BRITISH COLUMBIA	SCALE: N/A CHECK BY: LC DRAWN BY: MN DATE: OCT 04/19 CAD FILE: A-1
	 229 - 18525 53RD AVENUE SURREY, BC V3S 7A4 TEL: (778) 805-2166 INFO@COREONECONSULTING.COM	DRAWING TITLE: ANTENNA AND EQUIPMENT DETAILS

ROGERS ANTENNA LOADING CHART

#	ANTENNA ID		ANTENNA/HARDWARE TYPE P=PANEL W=WHIP	HEIGHT RAD CENTRE	ANTENNA HEIGHT REF.	POS	AZMIUTH (°)	MDT (°)	MET (°)		DIV (°)	SPACE DIV (m)	RRU'S TOWER LOADING	RRU'S INITIAL INSTALL	JUMPER TYPES	JUMPER LENGTH (m)	STATUS	
	TECHNOLOGY	LABLE							750/850	1900/ 2100/ 2600								
1	LTE	LTE-1	T126027INTDEX6FT2V03	P	35.0m	CENTRE	UP	60°	0°	7°	4°	N/A	N/A	4	3	H&S	<5	INITIAL
2	NR	NR-1	AIR6488/AIR5322	P	35.0m	CENTRE	UP	60°	0°	T.B.D.	T.B.D.	N/A	N/A	3	0	H&S	<5	FUTURE
3	LTE OFFSET	OFFSET-1	T126027INTDEX6FT2V03	P	35.0m	CENTRE	UP	0°	0°	7°	4°	N/A	N/A	3	2	H&S	<5	INITIAL
4	LTE	LTE-2	T126027INTDEX6FT2V03	P	35.0m	CENTRE	UP	180°	0°	7°	4°	N/A	N/A	4	3	H&S	<5	INITIAL
5	NR	NR-2	AIR6488/AIR5322	P	35.0m	CENTRE	UP	180°	0°	T.B.D.	T.B.D.	N/A	N/A	3	0	H&S	<5	FUTURE
6	LTE OFFSET	OFFSET-2	T126027INTDEX6FT2V03	P	35.0m	CENTRE	UP	120°	0°	7°	4°	N/A	N/A	3	2	H&S	<5	INITIAL
7	LTE	LTE-3	T126027INTDEX6FT2V03	P	35.0m	CENTRE	UP	300°	0°	7°	4°	N/A	N/A	4	3	H&S	<5	INITIAL
8	NR	NR-3	AIR6488/AIR5322	P	35.0m	CENTRE	UP	300°	0°	T.B.D.	T.B.D.	N/A	N/A	3	0	H&S	<5	FUTURE
9	LTE OFFSET	OFFSET-3	T126027INTDEX6FT2V03	P	35.0m	CENTRE	UP	240°	0°	7°	4°	N/A	N/A	3	2	H&S	<5	INITIAL
10	GPS	GPS-1	KRE1012395/1 GNSS	-	5.0m	-	-	-	-	-	-	-	-	-	-	T.B.D.	-	INITIAL
11-13	AWS	T.B.D.	T.B.D.	P	32.5m	CENTRE	UP	T.B.D.	T.B.D.	T.B.D.	T.B.D.	T.B.D.	T.B.D.	T.B.D.	T.B.D.	T.B.D.	T.B.D.	FUTURE
14-16	3.5GHz	T.B.D.	T.B.D.	P	30.0m	CENTRE	UP	T.B.D.	T.B.D.	T.B.D.	T.B.D.	T.B.D.	T.B.D.	T.B.D.	T.B.D.	T.B.D.	T.B.D.	FUTURE
17-22	2.5GHz	T.B.D.	T.B.D.	P	27.5m	CENTRE	UP	T.B.D.	T.B.D.	T.B.D.	T.B.D.	T.B.D.	T.B.D.	T.B.D.	T.B.D.	T.B.D.	T.B.D.	FUTURE

ROGERS MICROWAVE LOADING CHART



#	ANTENNA ID	ANTENNA TYPE	HEIGHT RAD CENTRE	AZIMUTH (°)	LINE TYPE	LINE LENGTH (m)	STATUS
1	T.B.D.	610mm DIA.	±33.0m	T.B.D.	T.B.D.	T.B.D.	INITIAL

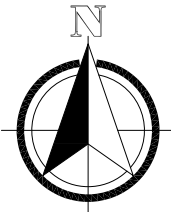
ANTENNA LOADING CHART AS PER RADIO SITE QUALIFICATION, DATED SEPTEMBER 24, 2019.

CREST ANTENNA LOADING CHART

#	ANTENNA ID	ANTENNA TYPE	TOP OF ANTENNA	AZIMUTH (°)	LINE TYPE	LINE LENGTH (m)	STATUS
1	2 ELEMENT VHF DIPOLE	T.B.D.	±39.0m	T.B.D.	T.B.D.	T.B.D.	INITIAL
2	MICROWAVE DISH	(2) VHCP4-15	T.B.D.	T.B.D.	T.B.D.	T.B.D.	INITIAL

REV	DESCRIPTION	DATE	BY
3	REVISED PER ROGERS	OCT 07/20	MN
2	REVISED PER ROGERS	SEP 22/20	MN
1	REVISED PER ROGERS	MAR 13/20	MN
0	ISSUED FOR REVIEW	OCT 04/19	MN

	PROJECT: W2176 NORTH SALTSRING WATER RESV. (CHANNEL RIDGE ESTATES) SALTSRING ISLAND BRITISH COLUMBIA	SCALE: N/A CHECK BY: LC DRAWN BY: MN DATE: OCT 04/19 CAD FILE: A-2
	 260 - 18525 53RD AVENUE SURREY, BC V3S 7A4 TEL: (778) 805-2166 INFO@COREONECONSULTING.COM	DRAWING TITLE: ANTENNA LOADING CHART



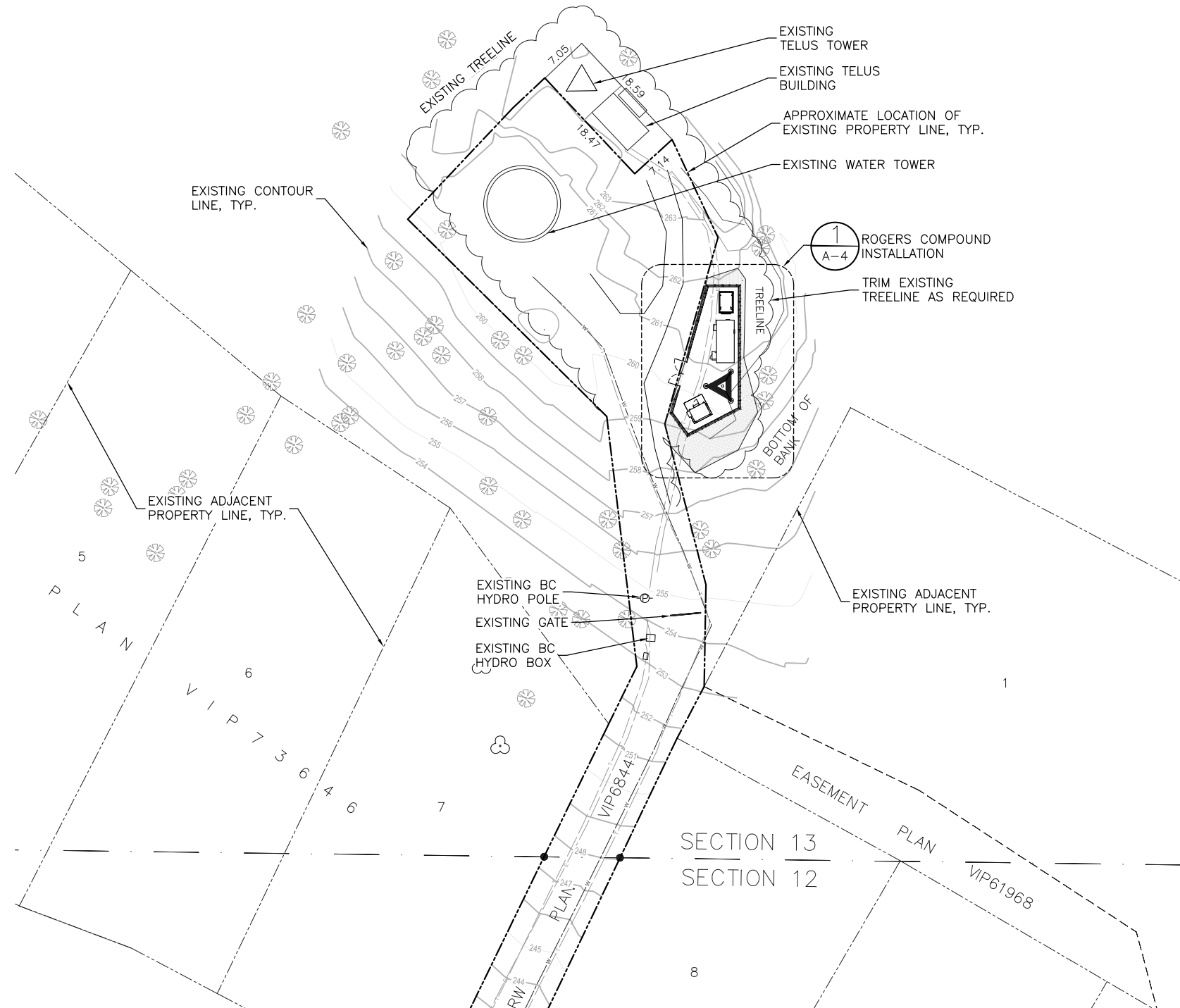
TRUE NORTH ARROW SHOWN ON THIS DRAWING IS APPROXIMATE ONLY AND MUST BE VERIFIED

NOTES:

1. SITE PLAN INFORMATION OBTAINED FROM A SURVEY PREPARED BY McELHANNEY ASSOCIATES PROFESSIONAL LAND SURVEYORS. FILE No. 2232-73804-1

LEGAL DESCRIPTION:

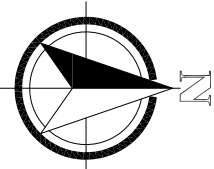
PID: 000-638-391
SECTION 12 AND 13, RANGE 2 WEST, NORTH SALT SPRING ISLAND, COWICHAN DISTRICT



1 SITE PLAN
1:750

REV	DESCRIPTION	DATE	BY
3	REVISED PER ROGERS	OCT 07/20	MN
2	REVISED PER ROGERS	SEP 22/20	MN
1	REVISED PER ROGERS	MAR 13/20	MN
0	ISSUED FOR REVIEW	OCT 04/19	MN

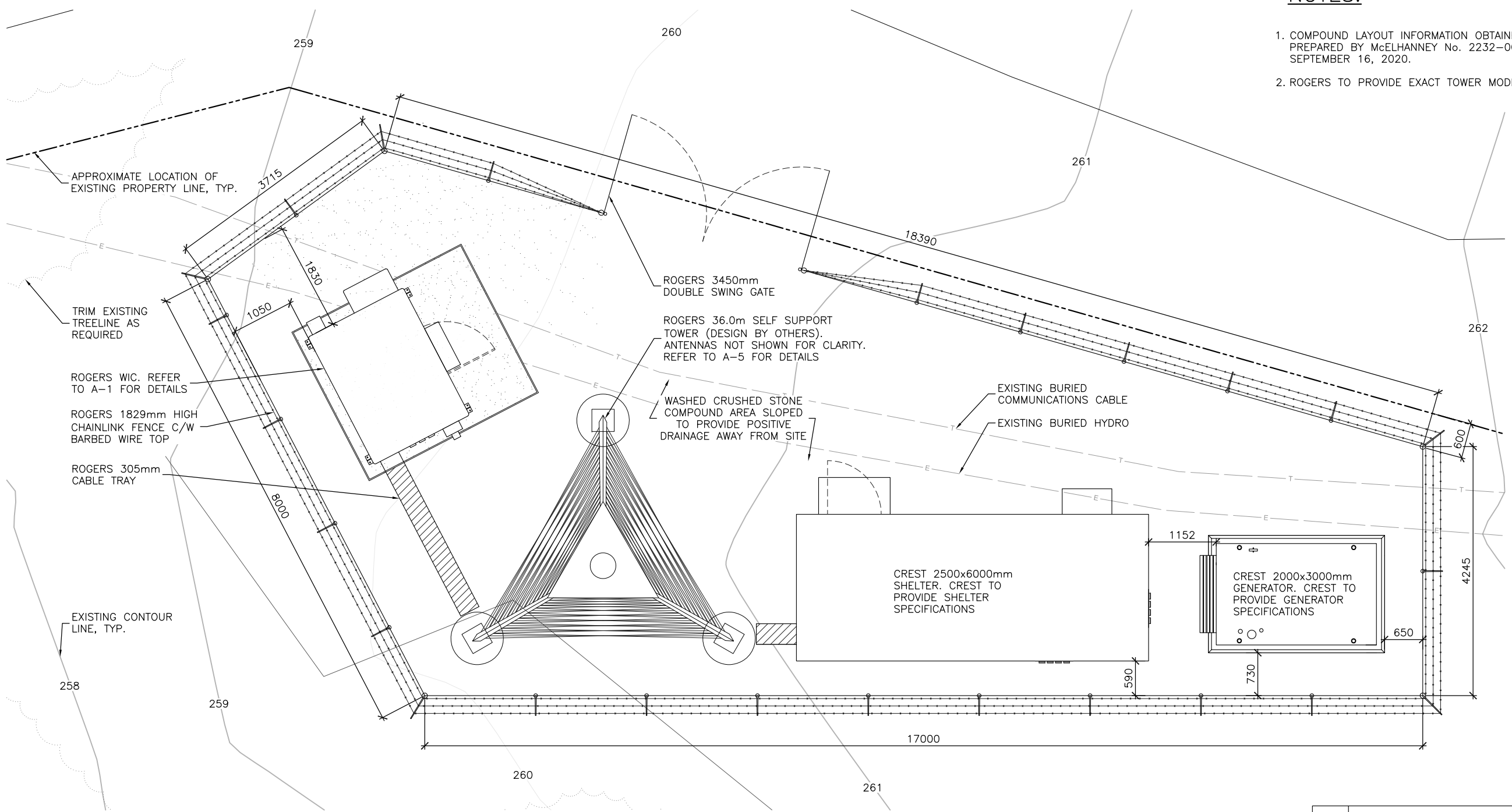
	PROJECT: W2176 NORTH SALTSRING WATER RESV. (CHANNEL RIDGE ESTATES) SALTSPRING ISLAND BRITISH COLUMBIA	SCALE: AS NOTED CHECK BY: LC DRAWN BY: MN DATE: OCT 04/19 CAD FILE: A-3
	DRAWING TITLE: SITE PLAN	PROJECT NO: 19C1529 DRAWING NO: A-3
 229 - 18525 53RD AVENUE SURREY, BC V3S 7A4 TEL: (778) 805-2166 INFO@COREONECONSULTING.COM		



TRUE NORTH ARROW SHOWN ON THIS DRAWING IS APPROXIMATE ONLY AND MUST BE VERIFIED

NOTES:

1. COMPOUND LAYOUT INFORMATION OBTAINED FROM A SURVEY PREPARED BY McELHANNEY No. 2232-00186-03 DATED SEPTEMBER 16, 2020.
2. ROGERS TO PROVIDE EXACT TOWER MODEL AND SIZE.

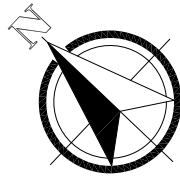


1 COMPOUND LAYOUT
1:100

REV	DESCRIPTION	DATE	BY
3	REVISED PER ROGERS	OCT 07/20	MN
2	REVISED PER ROGERS	SEP 22/20	MN
1	REVISED PER ROGERS	MAR 13/20	MN
0	ISSUED FOR REVIEW	OCT 04/19	MN

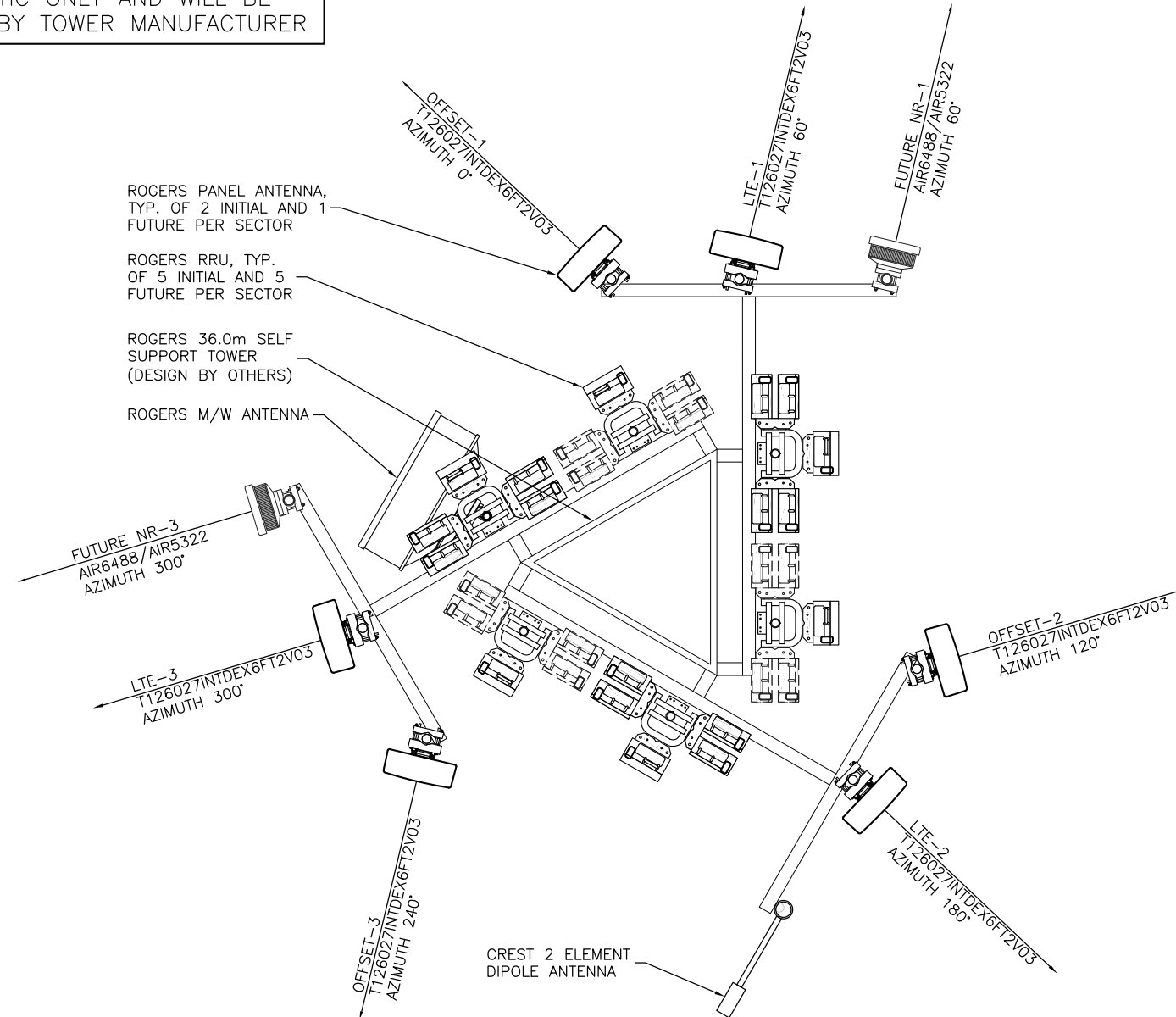
	PROJECT: W2176 NORTH SALTSRING WATER RESV. (CHANNEL RIDGE ESTATES) SALTSPRING ISLAND BRITISH COLUMBIA	SCALE: AS NOTED CHECK BY: LC DRAWN BY: MN DATE: OCT 04/19 CAD FILE: A-4
	DRAWING TITLE: COMPOUND LAYOUT	PROJECT NO: 19C1529 DRAWING NO: A-4

COREONE CONSULTING
 229 - 18525 53RD AVENUE
 SURREY, BC V3S 7A4
 TEL: (778) 805-2166
 INFO@COREONECONSULTING.COM



TRUE NORTH ARROW SHOWN ON THIS DRAWING IS APPROXIMATE ONLY AND MUST BE VERIFIED

ANTENNA MOUNTING SHOWN IS DIAGRAMMATIC ONLY AND WILL BE DESIGNED BY TOWER MANUFACTURER



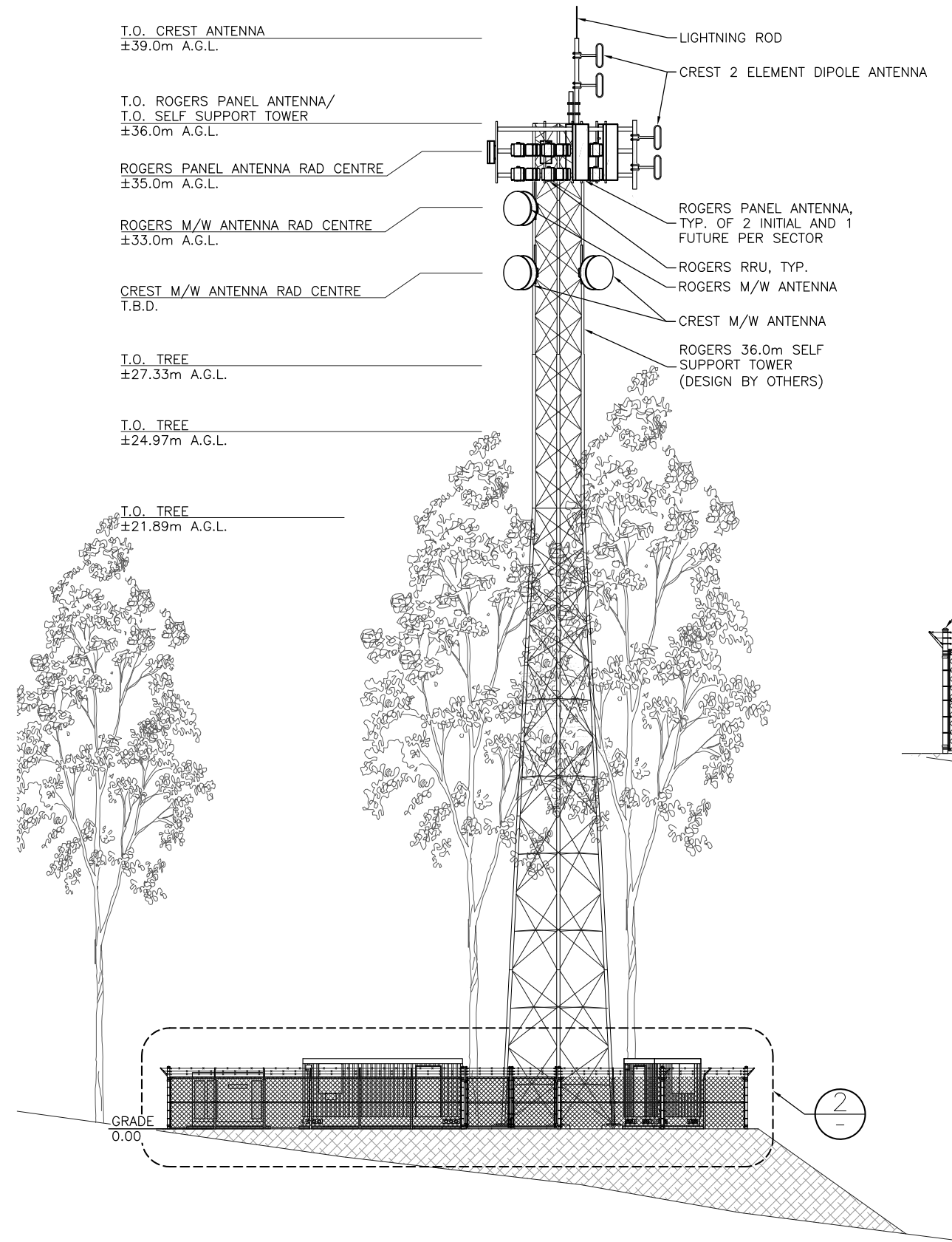
REV	DESCRIPTION	DATE	BY
3	REVISED PER ROGERS	OCT 07/20	MN
2	REVISED PER ROGERS	SEP 22/20	MN
1	REVISED PER ROGERS	MAR 13/20	MN
0	ISSUED FOR REVIEW	OCT 04/19	MN

1 ANTENNA LAYOUT
1:50

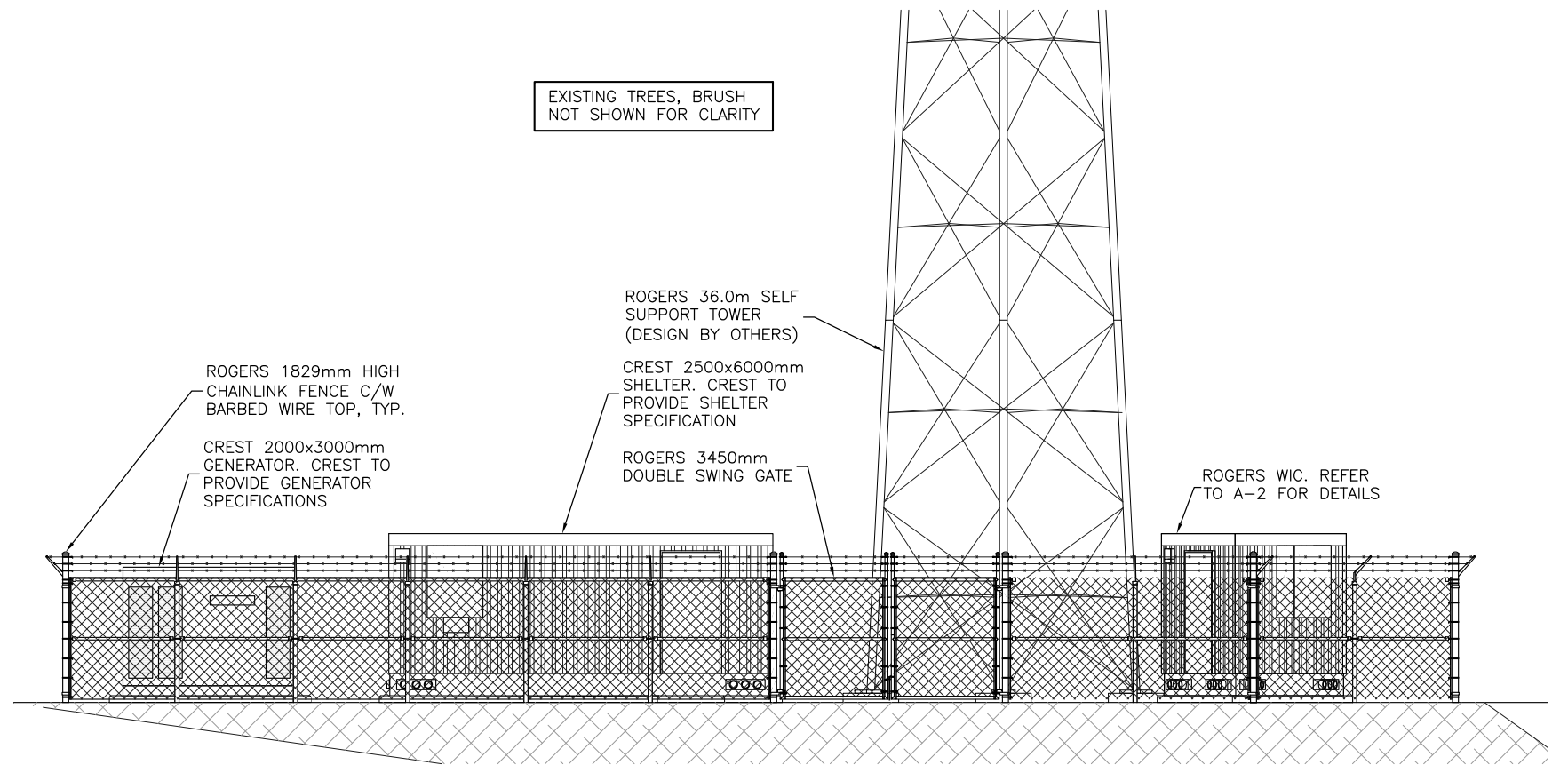
	PROJECT: W2176 NORTH SALTSRING WATER RESV. (CHANNEL RIDGE ESTATES) SALTSRING ISLAND BRITISH COLUMBIA	SCALE: AS NOTED CHECK BY: LC DRAWN BY: MN DATE: OCT 04/19 CAD FILE: A-5
	DRAWING TITLE: ANTENNA LAYOUT	PROJECT NO: 19C1529 DRAWING NO: A-5
229 - 18525 53RD AVENUE SURREY, BC V3S 7A4 TEL: (778) 805-2166 INFO@COREONECONSULTING.COM		

NOTES:

1. ELEVATION IS DIAGRAMMATIC ONLY.
2. IF REQUIRED, PROVIDE OBSTRUCTION LIGHTING IN ACCORDANCE WITH TRANSPORT CANADA REQUIREMENTS.



1 NORTHWEST ELEVATION
1:200



2 PARTIAL NORTHWEST ELEVATION
1:100

REV	DESCRIPTION	DATE	BY
5	REVISED PER COMMENTS	JAN 29/20	MN
4	GENERAL REVISION	NOV 04/20	MN
3	REVISED PER ROGERS	OCT 07/20	MN
2	REVISED PER ROGERS	SEP 22/20	MN
1	REVISED PER ROGERS	MAR 13/20	MN
0	ISSUED FOR REVIEW	OCT 04/19	MN

	PROJECT: W2176 NORTH SALTSRING WATER RESV. (CHANNEL RIDGE ESTATES) SALTSRING ISLAND BRITISH COLUMBIA	SCALE: AS NOTED CHECK BY: LC DRAWN BY: MN DATE: OCT 04/19 CAD FILE: A-6
	 229 - 18525 53RD AVENUE SURREY, BC V3S 7A4 TEL: (778) 805-2166 INFO@COREONECONSULTING.COM	DRAWING TITLE: NORTHWEST ELEVATION